

RECHARGEABLE BATTERY POWERED
SYSTEM ON TROLLEY

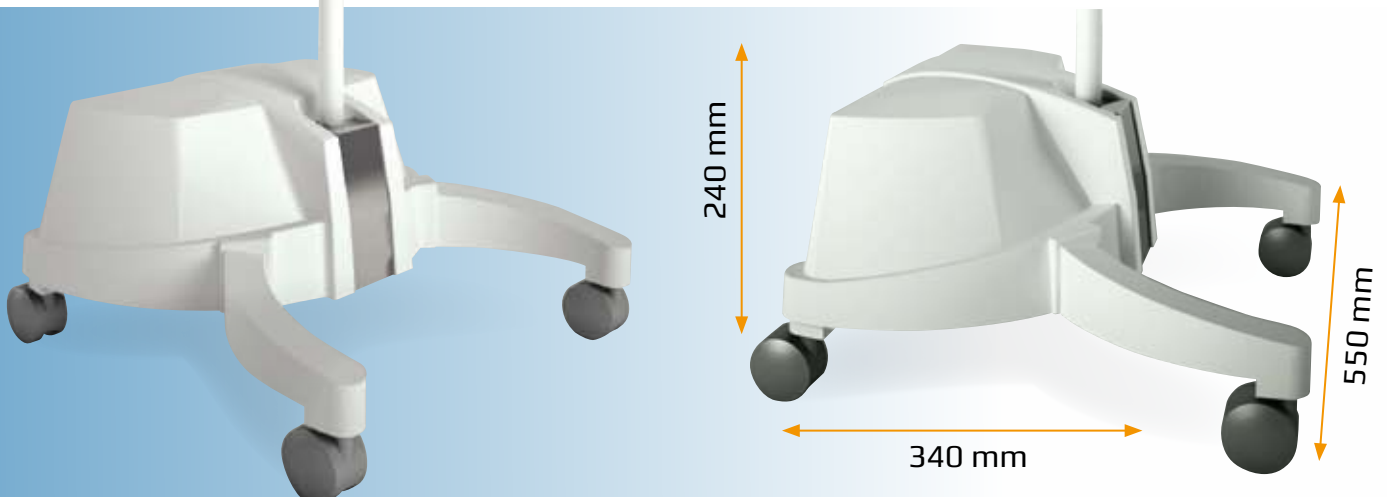


SOLED15/15-F with **ABPS** supplies efficient light for every condition of use:

- in humanitarian interventions
- in developing regions
- in critical regions
- in emergency situations
- in case of sudden black-outs
- where light has great importance but electrical power supply is not available
- as a back-up lamp on field hospitals without UPS or power generators

SOLED15/15-F with **ABPS** has the same performance and appearance, since the structure containing the battery is within the trolley base. The structure which covers and protects the battery is made of resistant plastic, and its dimensions are: 550 x 340 x 240 mm. The control panel on the structure allows managing all fundamental parameters, such as residual charge, type of power supply, recharge status and electrical power supply presence, amongst others.

ABPS is a rechargeable battery powered system made by ACEM Medical Company dedicated to power surgical lamps as by European Directive 93/42/EEC.



ABPS:

- has an electronic control which allows for automatic switch from electric power supply to battery power supply so that SOLED15/15-F can be used as a high performance mobile unit.
- is recharged by an automatic charger and requires no specific maintenance. Its autonomy may vary depending on the battery model, which can be from 12 Ah to 28 Ah with maximum charging time of about 8 hours.

ABPS TECHNICAL DATA SHEET FOR SOLED15/15-F

Class EN 60601-1	I
28 Ah battery	
Input voltage	100-240 Vac - 50/60 Hz
Output voltage	24 Vdc
Autonomy when at max. power	24 h
Max. recharge time	8 h
Trolley base weight with 28 Ah battery	34 Kg
12 Ah battery	
Input voltage	100-240 Vac - 50/60 Hz
Output voltage	24 Vdc
Autonomy when at max. power	10 h
Max. recharge time	4 h
Trolley base weight with 12 Ah battery	23 Kg

E. & O.E.



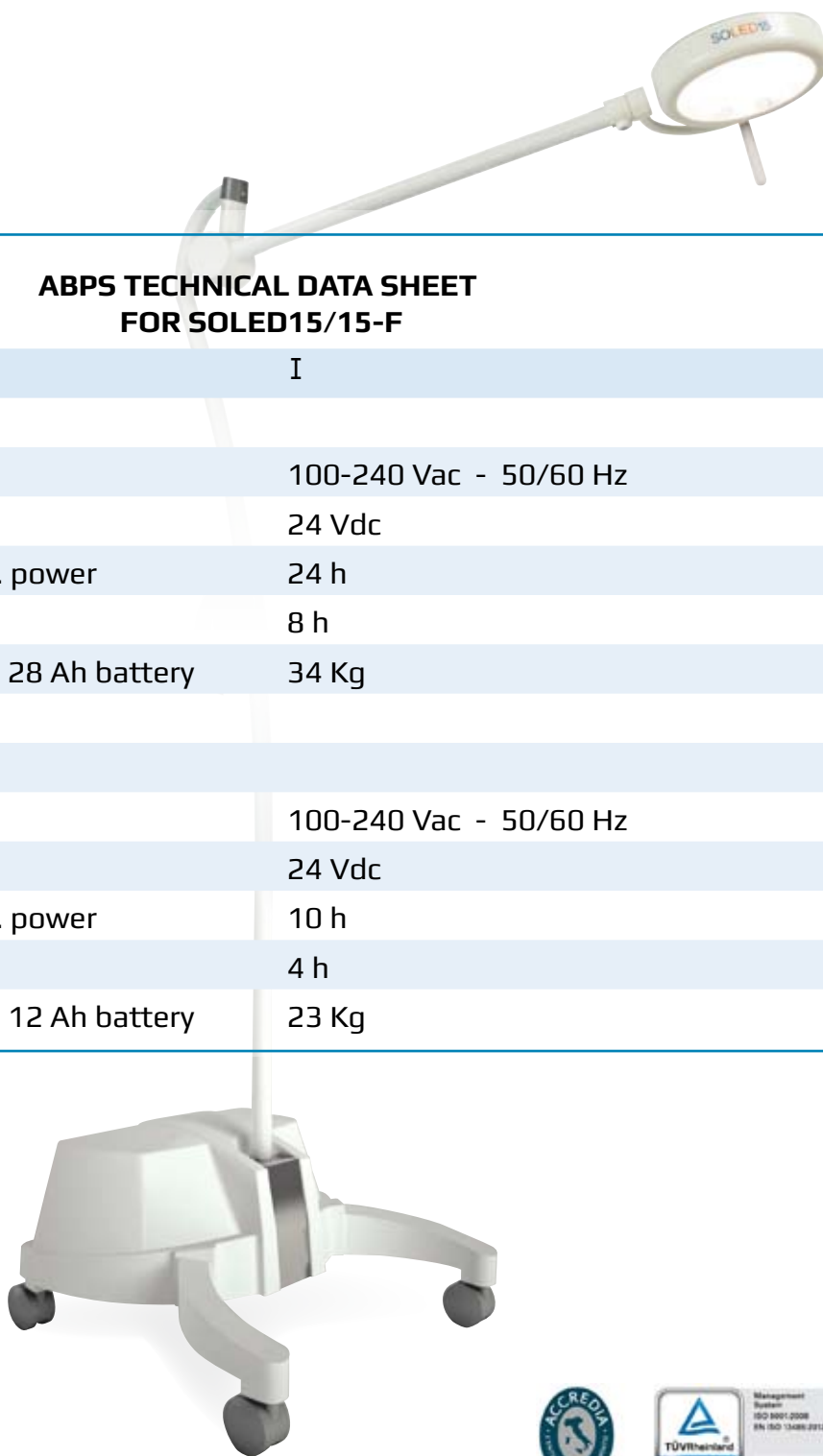
ACEM SpA

Medical Company Division

Via della Tecnica 29 - 40050 Argelato
Bologna - ITALY

Ph +39 051 721844 Fax +39 051 721855

info@acem.it www.acem.it



Acem Medical Company is a registered trademark of Acem S.p.A. All rights reserved

ACEM reserves the right to modify the design and specifications contained herein without any prior notice.

Dep.SOLED15-ABPS.EN rev.2016-01